

# DL501 PARTS MANUAL (DINO 2002)

## TABLE OF CONTENTS

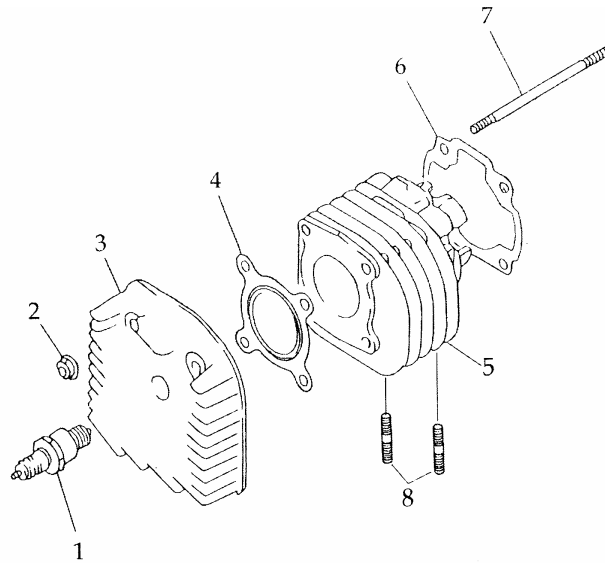
### ENGINE ASSEMBLIES:

CYLINDER.....	2
CRANKSHAFT & PISTON .....	3
AIR SHROUD & FAN.....	4
OIL PUMP.....	5
INTAKE HOUSING & AIR FILTER.....	6
CARBURETOR.....	7
CRANKCASE .....	8
STARTER.....	11
C.V.T.....	12
TRANSMISSION .....	14
GENERATOR .....	15
STARTER MOTOR.....	16

### CHASIS/ELECTRICAL ASSEMBLIES:

FRAME BODY.....	17
HANDLE BAR.....	18
STEERING.....	19
FRONT WHEEL.....	20
REAR WHEEL.....	21
EXHAUST PIPE .....	23
FENDER, SEAT .....	24
FUEL TANK, OIL TANK.....	26
ELECTRICAL PARTS.....	27

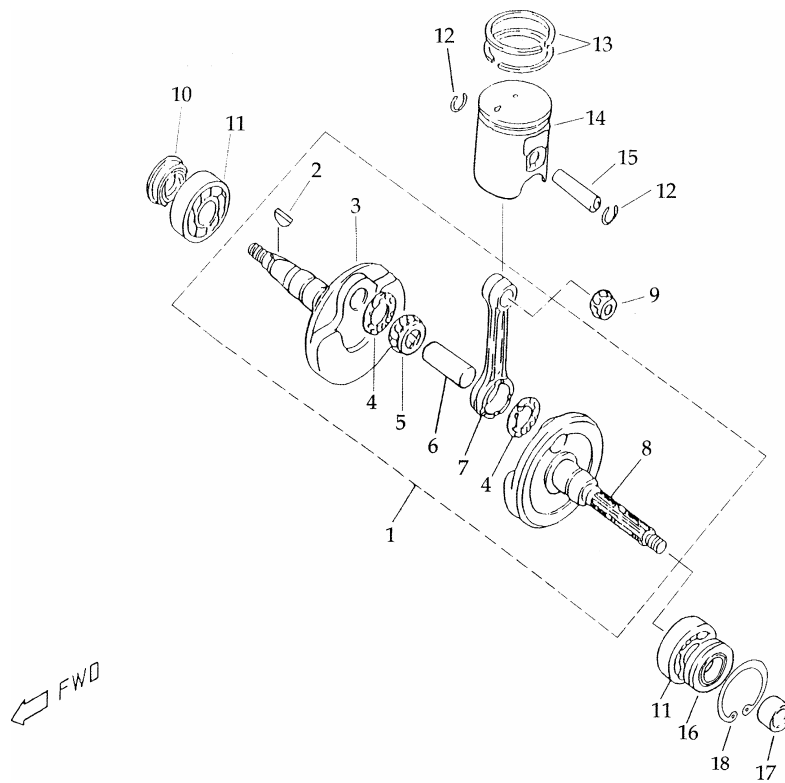
# CYLINDER



DL-501 50CC MODEL:  FWD

REF NO	PART NO	DESCRIPTION	SPECIFICATION	Qty	PRICE
001	E070001	SPARK PLUG	NGK BPR7HS	1	
002	A060015	NUT	M2 x P1.0	4	
003	E060065	HEAD, CYLINDER L		1	
004	E070134	GASKET, CYLINDER HEAD		1	
005	E070133	CYLINDER		1	
006	E070162	GASKET, CYLINDER		1	
007	A140001	STUD, BOLT	M7 x P1.0 x 110mm	4	
008	A140003	STUD, BOLT	M6 X p1.0 x 30mm	2	

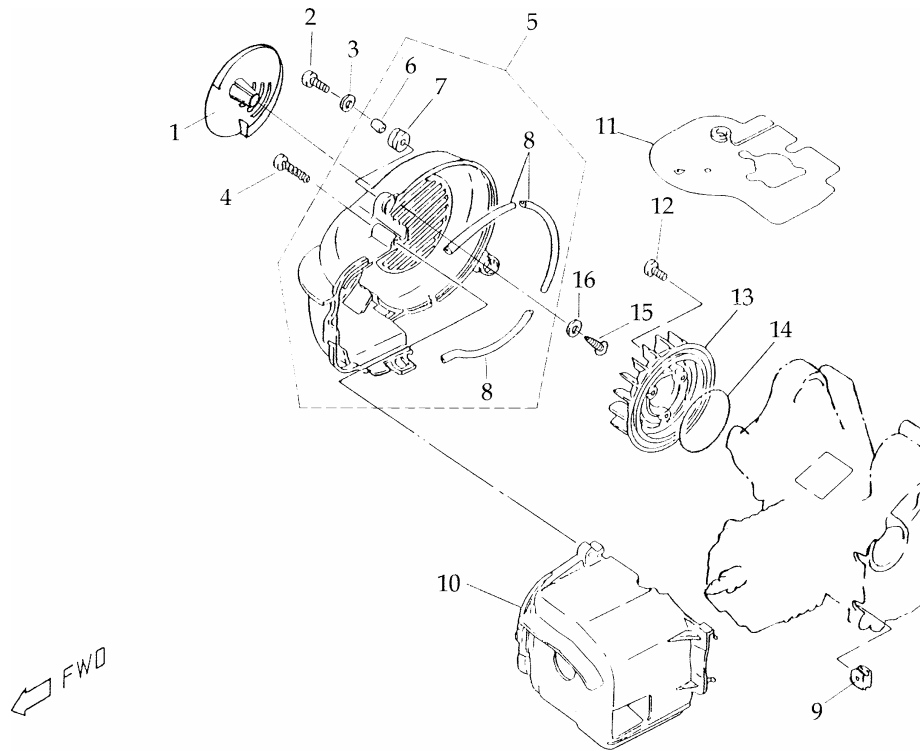
# CRANKSHAFT & PISTON



DL-501 50CC MODEL:

REF NO	PART NO	DESCRIPTION	SPECIFICATION	QTY	PRICE
001	E070140	CRANCKSHAFT ASSEMBLY		1	
002		KEY, WOODRUFF		1	
003		CRANK 2		1	
004		WASHER		2	
005		BEARING, CYLINDRICAL		1	
006		PIN, CRANK1		1	
007		ROD, CONNECTING		1	
008		CRANK 1		1	
009	A010019	BEARING, CYLINDRICAL	KTV101412.5EG	1	
010	A030006	OIL SEAL	20 x 30 x 6	1	
011	A010011	BEARING	6204C3	2	
012	E070139	CIRCLIP	12 DIAMETER	2	
013	E070137	PISTON RING SET (STD)		1	
014	E070136	PISTON (STD)		1	
015	E070138	PIN, PISTON	5 x 10 x 33	1	
016	A030007	OIL SEAL		1	
017	E070141	COLLAR		1	
018	A100005	CIRCLIP	R-42	1	

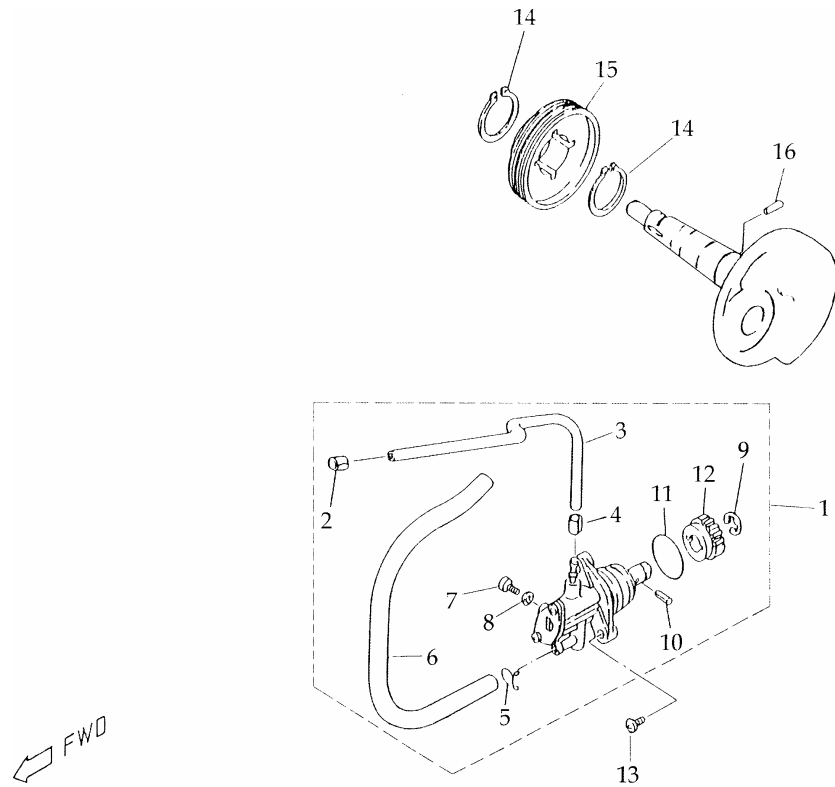
## AIR SHROUD & FAN



DL-501 50CC MODEL:

REF NO	PART NO	DESCRIPTION	SPECIFICATION	QTY	PRICE
001	E070014	AIR SHROUD DUST CAP		1	
002	A050033	SCREW, PAN HEAD	M6 x 20	2	
003	A080036	WASHER, PLATE	13 OD x 6.5 ID x 1.0	2	
004	A130006	SCREW, THREADED	M6 x 40	1	
005	E070017	AIR SHROUD, CYLINDER 3		1	
006		COLLAR		2	
007		GROMMET		2	
008		DAMPER, AIR SHROUD 1		3	
009	E070019	GROMMET		2	
010	E070153	AIR SHROUD, CYLINDER 1		1	
011	E070021	DEFLECTOR 1		1	
012	A050065	HEX WASHER FACE BOLT	M6 x 16	3	
013	E070160	FAN		1	
014	A040001	O-RING	64.4 OD x 3.1 ID	1	
015	A130007	SCREW, THREADED	M4 x 16	1	
016	A080034	WASHER, PLATE	15 OD x 5.5 ID x 1.0	1	

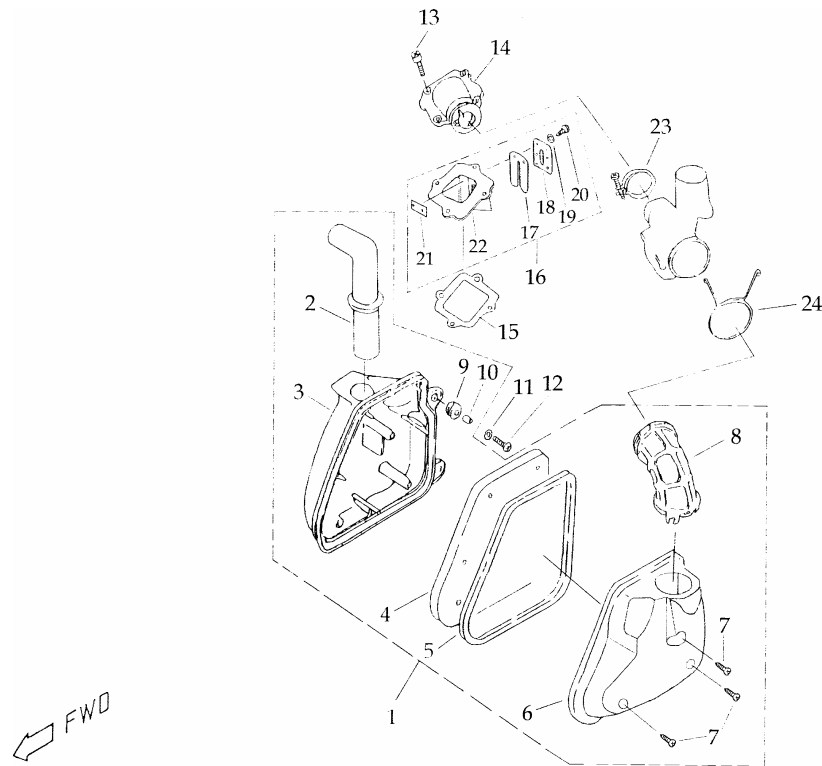
# OIL PUMP



DL-501 50CC MODEL:

REF NO	PART NO	DESCRIPTION	SPECIFICATION	QTY	PRICE
001	E070142	OIL PUMP ASSEMBLY		1	
002		CLIP		1	
003	E070024	OIL TUBE		1	
004		CLIP		1	
005		CLIP		1	
006	E070026	OIL TUBE		1	
007		BOLT, BREATHER		1	
008		GASKET, BREATHER BOLT		1	
009		CLIP		1	
010		PIN, DOWEL		1	
011		O-RING		1	
012		GEAR, WORM WHEEL		1	
013	A050035	SCREW, PAN HEAD	M5 x 14	2	
014	A100007	CIRCLIP	R-19	2	
015	E070030	GEAR, PUMP DRIVE		1	
016	A070006	PIN, DOWEL	3 x 11.8	1	

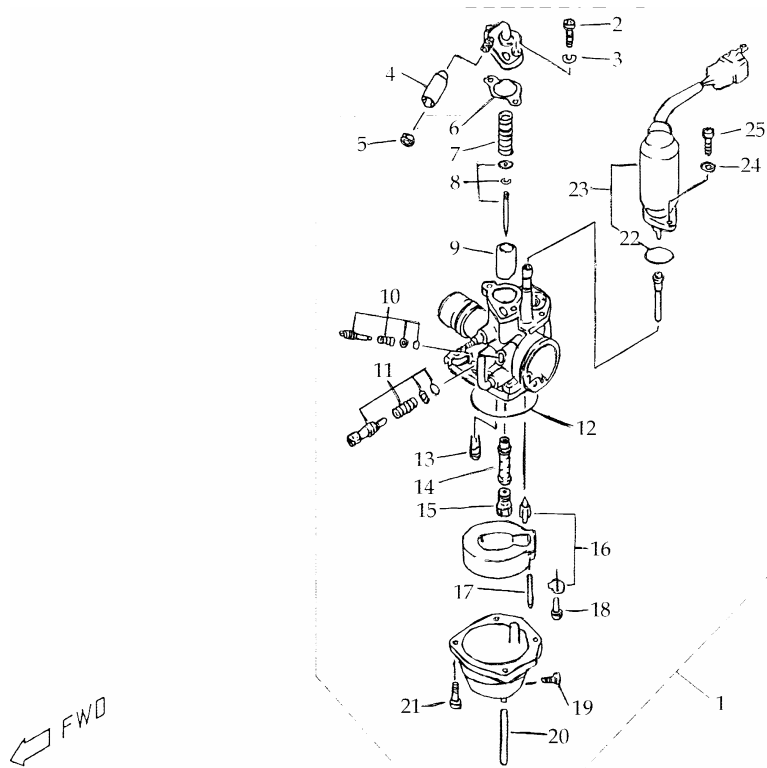
## INTAKE HOUSING & AIR FILTER



DL-501 50CC MODEL:

REF NO	PART NO	DESCRIPTION	SPECIFICATION	QTY	PRICE
01	E070124	AIR FILTER ASSEMBLY		1	
02		DUCT		1	
03		CASE, AIR CLEANER 1		1	
04	E070033	ELEMENT, AIR CLEANER		1	
05		SEAL		1	
06		CAP, CLEANER CASE 1		1	
07		SCREW, TAPPING	M5 x 18	3	
08		JOINT, AIR CLEANER 1		1	
09		GROMMET		2	
10		COLLAR		2	
11	A080036	WASHER, PLATE	13 ID x 6.5 OD x 1.0	2	
12	A050033	SCREW, PAN HEAD	M6 x 20	2	
13	A050041	SCREW, PAN HEAD	M6 x 20	4	
14	E070037	MANIFOLD, INTAKE		1	
15	E070038	GASKET, VALVE SEAT		1	
16	E070168	REED VALVE ASSEMBLY		1	
17		REED, VALVE		2	
18		STOPPER, REED VALVE		2	
19		WASHER, SPRING	1.1 OD x 3.1 ID x 0.7	4	
20		SCREW, PAN HEAD	M3 x 8 P0.5	4	
21		BRACKET, REED VALVE		2	
22		REED VALVE		1	
23	E070041	CLAMP, HOSE		1	
24	E070042	CLIP		1	

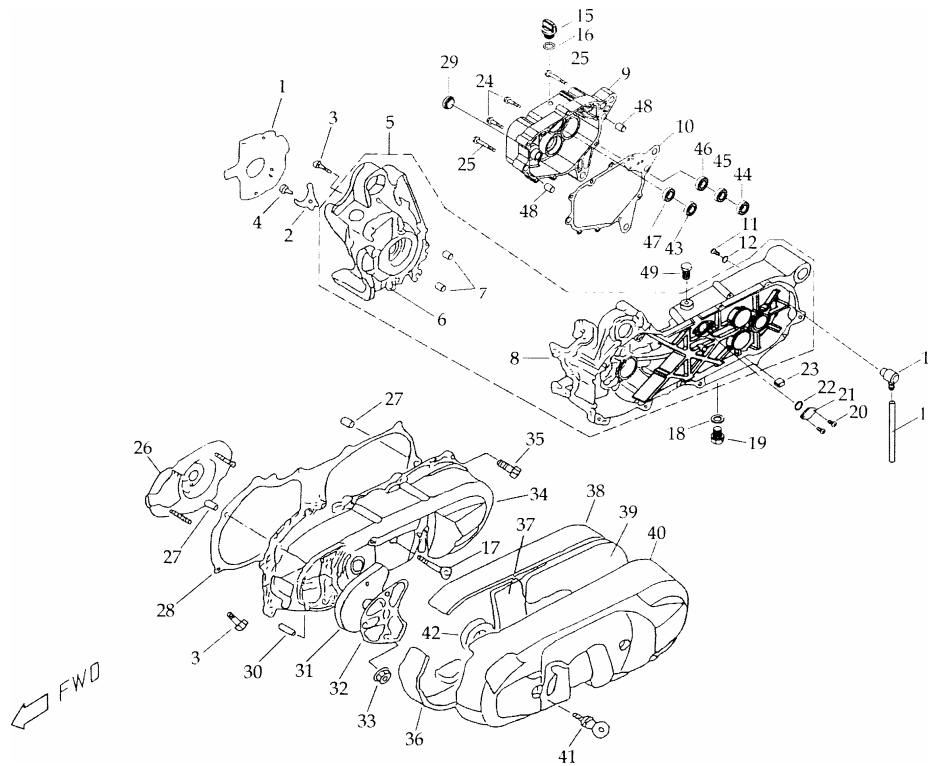
# CARBURETOR



DL-501 50CC MODEL: NOTE: PICTURE SHOWN IS A 2002 CARBURETOR)

REF NO	PART NO	DESCRIPTION	SPECIFICATION	QTY	PRICE
01	E060084	CARBURETOR ASSEMBLY	WAS E070161	1	
02		SCREW, PAN HEAD		1	
03		WASHER, SPRING		1	
04		CAP, RUBBER		1	
05		NUT, CABLE ADJUSTING		1	
06		GASKET		1	
07		SPRING, THROTTLE STOP		1	
08		NEEDLE SET		1	
09		VALVE, THROTTLE 1		1	
10		AIR SCREW SET		1	
11		THROTTLE SCREW SET		1	
12		SEAL		1	
13		JET, PILOT		1	
14		NOZZLE, MAIN		1	
15		JET, MAIN		1	
16		NEEDLE VALVE SET		1	
17		PIN, FLOAT		1	
18		SCREW, PAN HEAD		1	
19		PLUG, DRAIN		1	
21		SCREW, PAN HEAD		4	
22		O-RING		1	
23	S070057	PLUNGER, STARTER	E070057(FOR THE 2002 CARB.)	1	
24		WASHER, SPRING		2	
25		SCREW, PAN HEAD		2	

# CRANKCASE

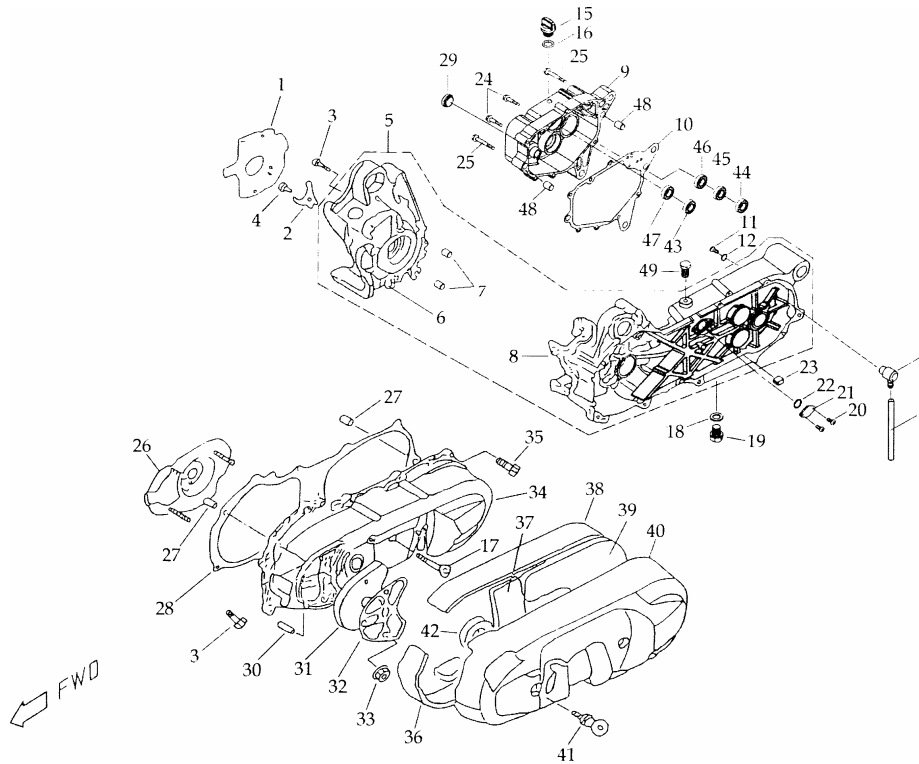


DL-501 50CC MODEL:

REF NO	PART NO	DESCRIPTION	SPECIFICATION	QTY	PRICE
001	E070058	GASKET, CRANKCASE COVER 3		1	
002	E070060	HOLDER		1	
003	A050040	SCREW, PAN HEAD	M6 x 35	8	
004	A050043	SCREW, PAN HEAD	M6 x 12	1	
005	E060067	CRANKCASE ASSEMBLY		1	
006		CRANKCASE, R.H.		1	
007		PIN, DOWEL		2	
008		CRANKCASE, L.H.		1	
009	E060062	COVER, GEAR		1	
010	E060046	GASKET		1	
011	A050044	SCREW, PAN HEAD	M6 x 10 P1.0	1	
012	A080026	WASHER, PLATE	6 OD	1	
013	E070062	HOSE	7.2 OD x 3.5 x ID x 120	1	
014	E070063	BREATHER		1	
015	E060049	PLUG, OIL		1	
016	A040005	O-RING	P14	1	
017	A050061	SCREW, PAN HEAD	M6 x 65	1	
018	A080052	WASHER DRAIN PLUG	20 OD x 12.2 ID x 2.0	1	



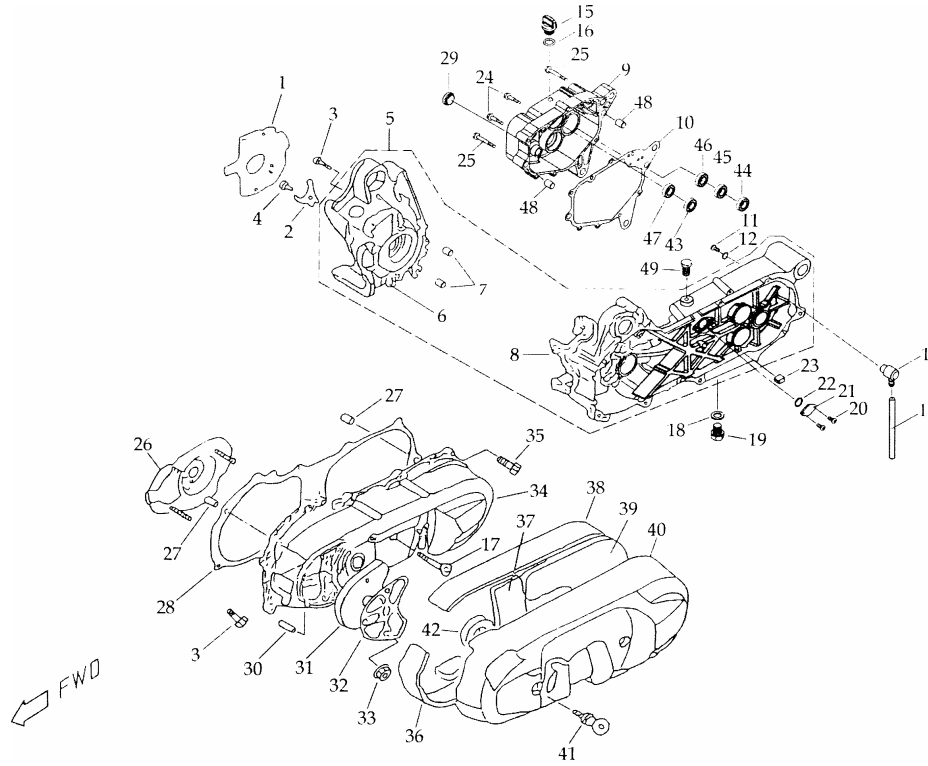
# CRANKCASE



DL-501 50CC MODEL:

REF NO	PART NO	DESCRIPTION	SPECIFICATION	QTY	PRICE
19	A050071	BOLT, DRAIN PLUG	M12 x 15 P1.5	1	
20	A050035	SCREW, PAN HEAD	M5 x 14 P0.8	2	
21	E060048	FLANGE		1	
22	A040012	O-RING	P21	1	
23	E060050	SEAL, RUBBER		1	
24	A050069	HEX WASHER FACE BOLT	M6 x 40 P1.0	8	
25	A050070	HEX WASHER FACE BOLT	M6 x 50 P1.0	2	
26	E070069	PLATE		1	
27	A070009	PIN, DOWEL		2	
28	E070070	GASKET, CRANKCASE COVER 1		1	
29	E060047	INDICATOR, OIL	20 DIAMETER	1	
30	E070071	SHAFT		1	
31	E070072	ELEMENT 1		1	
32	E070073	GUIDE ELEMENT		1	
33	A060017	NUT FLG	M6	3	
34	E060040	COVER, CRANKCASE 1		1	
35	A050042	SCREW, PAN HEAD	M6 x 25	8	
36	E070075	DAMPER 4		1	

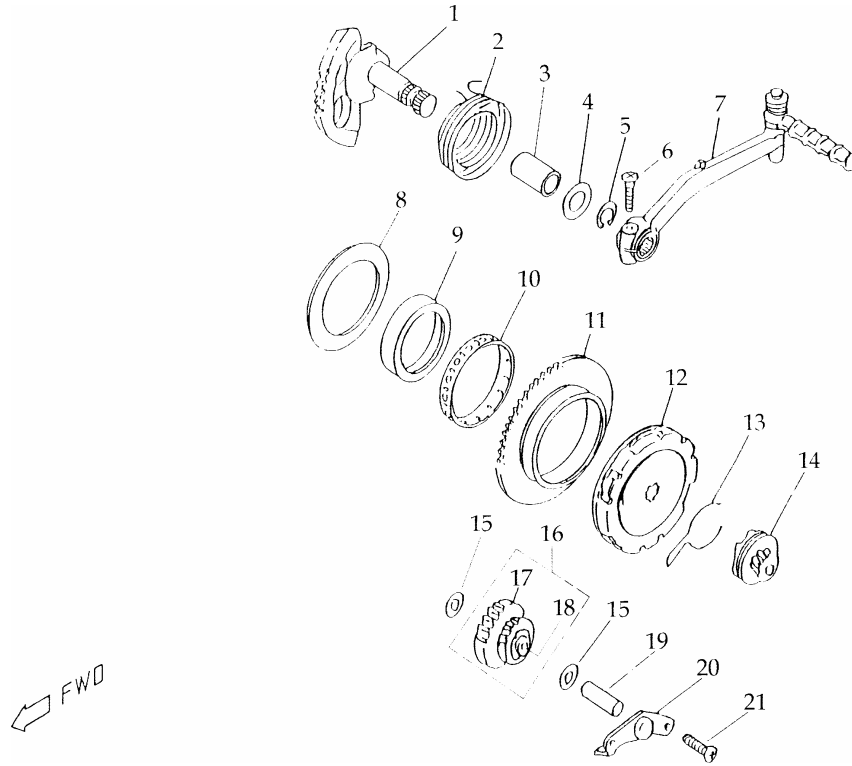
# CRANKCASE



DL-501 50CC MODEL:

REF NO	PART NO	DESCRIPTION	SPECIFICATION	QTY	PRICE
37	E070076	DAMPER 2		1	
38	E070077	DAMPER 3		1	
39	E070078	DAMPER 1		1	
40	E070079	COVER, CRANKCASE 3		1	
41	A050050	BOLT 1	M6 x 23	2	
42	E070080	DAMPER 5		1	
43	A010028	BEARING, RADIAL BALL	6202Z	1	
44	A010024	BEARING, RADIAL BALL	6203	1	
45	A010025	BEARING, RADIAL BALL	6004	1	
46	A010026	BEARING, RADIAL BALL	6004LU	1	
47	A010022	BEARING, RADIAL BALL	6302Z	1	
48	A070008	PIN, DOWEL	12 DIA. X 16 LONG	2	
49	E060021	BOLT, SHIFT LOCK		1	
	** NOTE: REF	NO. 4,5 & 6 FROM PAGE 16 GO			
	BETWEEN	REF NO.'S 45 & 46 ON THIS PAGE			

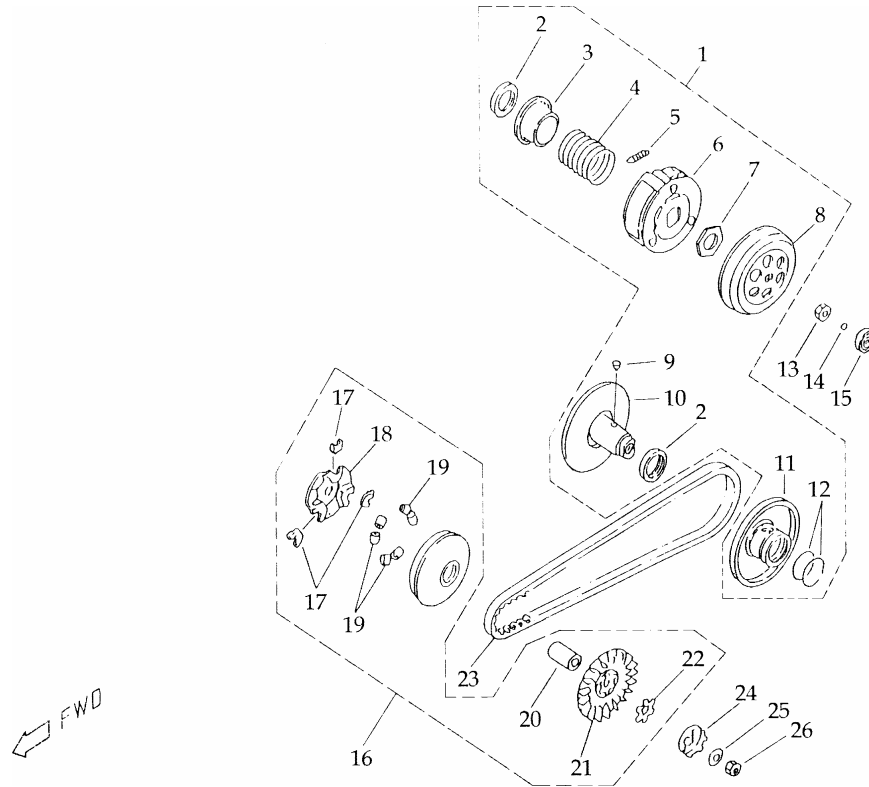
# STARTER



DL-501 50CC MODEL:

REF NO	PART NO	DESCRIPTION	SPECIFICATION	QTY	PRICE
001	E070081	KICK SHAFT ASSEMBLY		1	
002	E070082	SPRING, TORSION		1	
003	E070083	BUSHING, SOLID		1	
004	A080023	WASHER, PLATE	28 OD x 15 ID x 1.0	1	
005	A100008	CIRCLIP	R-15	1	
006	A050051	BOLT	M6 x 25	1	
007	E070085	KICK CRANK ASSEMBLY		1	
008	A080024	WASHER, PLATE	76 OD x 55.5 ID x 0.5	1	
009	E070086	BOSS, GEAR 2		1	
010	A010012	BEARING, CYLINDRICAL		1	
011	E070143	WHEEL, STARTER		1	
012	E070145	STARTER CLUTCH ASSEMBLY		1	
013	E070090	CLIP		1	
014	E070091	KICK PINION ASSEMBLY		1	
015	A080025	WASHER, PLATE	16 OD x 8 ID x 2.	2	
016	E070148	IDLE GEAR ASSEMBLY		1	
017		IDLE GEAR		1	
018		BEARING		1	
019	E070094	SHAFT, IDLE GEAR	8x31	1	
020	E070095	PLATE, IDLE GEAR		1	
021	A050043	SCREW, PAN HEAD	M6 x 12	2	

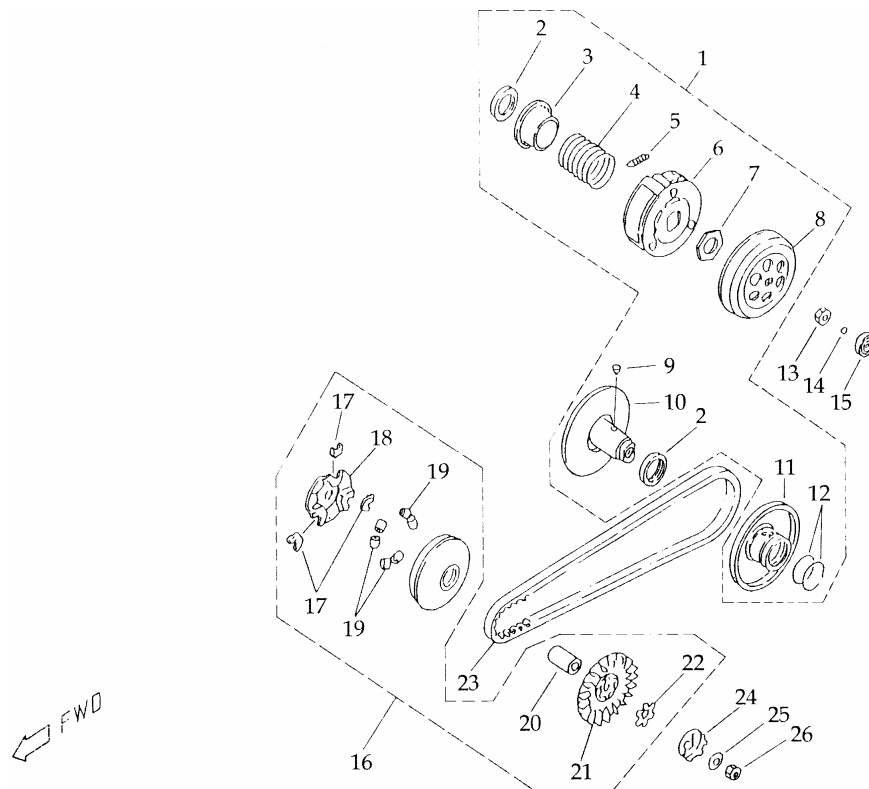
# C.V.T



DL-501 50CC MODEL:

REF NO	PART NO	DESCRIPTION	SPECIFICATION	QTY	PRICE
01	E070159	SECONDARY SHEAVE ASSEMBLY		1	
02		OIL SEAL		2	
03		SEAT, SECONDARY SPRING		1	
04		SPRING, COMPRESSION		1	
05		SPRING, CLUTCH WEIGHT 1		3	
06		CLUTCH CARRIER ASSEMBLY		1	
07		NUT		1	
08		CLUTCH HOUSING COMPLETE		1	
09		PIN, GUIDE		2	
10		SECONDARY FIXED SHEAVE COMPLETE		1	
11		SECONDARY SLIDING SHEAVE		1	
12		O-RING		2	
13	A060020	NUT FLG	M10	1	
14	A040006	O-RING	6.45 x 3.1	1	
15	A010014	BEARING	638ZZ	1	
16	E070147	PRIMARY SLIDING SHEAVE COMPLETE		1	
17		SLIDER		3	
18		CAM		1	

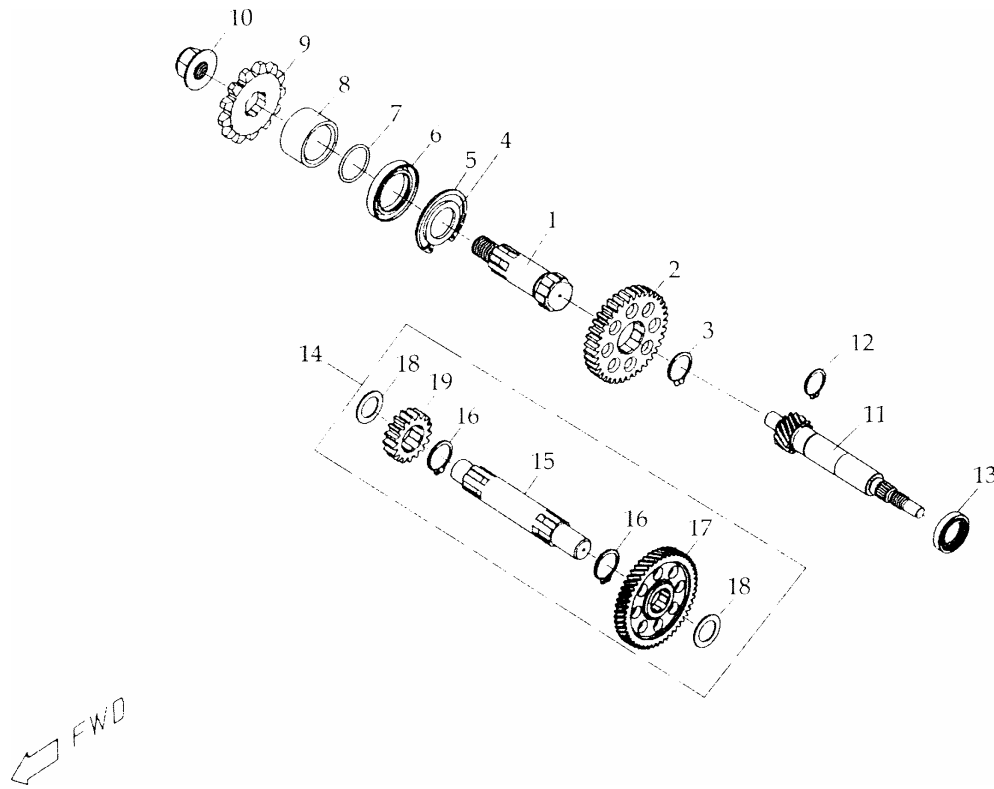
# C.V.T



DL-501 50CC MODEL:

REF NO	PART NO	DESCRIPTION	SPECIFICATION	QTY	PRICE
19	E070166	WEIGHT		6	
20		COLLAR		1	
21		SHEAVE, PRIMARY FIXED		1	
22		WASHER, CLAW		1	
23	E070108	V-BELT	780 x 16.5 x 30	1	
24	E070146	CLUTCH, ONEWAY		1	
25	A080029	WASHER, CONICAL SPRING	10.5 DIA. x 24 DIA.	1	
26	A060021	HEXNUT	M10 P1.25	1	

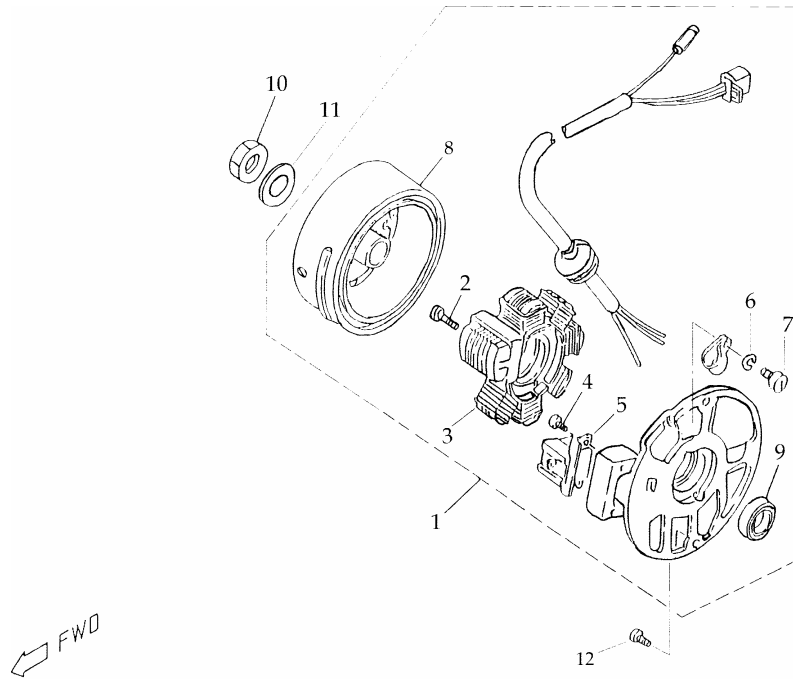
# TRANSMISSION



DL-501 50CC & 90CC MODEL:

REF NO	PART NO	DESCRIPTION	SPECIFICATION	QTY	PRICE
01	E060060	SHAFT, OUTPUT		1	
02	E060007	GEAR, OUTPUT L2	37T	1	
03	A100013	CIRCLIP, EXTERNAL	25 DIA.	1	
04	A080047	SPACER		1	
05	A100005	CIRCLIP, INTERNAL	42 DIA.	1	
06	A030014	OIL SEAL	TC 27DIA. x 42DIA. x 7	1	
07	A040013	O-RING	S20	1	
08	E060020	COLLAR		1	
09	E060029	SPROCKET, DRIVE	428 x 13T	1	
10	A060006	U NUT	M14 x 1.5	1	
11	E060031	GEAR, PRIMARY DRIVE	14T	1	
12	A100009	CIRCLIP	17 DIA.	1	
13	A030009	OIL SEAL	TC 17DIA. x 28DIA. x 5.5	1	
14	E060063	ASS'Y COUNT SHAFT		1	
15	E060061	SHAFT, COUNTER		1	
16	A100010	CIRCLIP, EXTERNAL	20 DIA.	2	
17	E060009	GEAR, COUNTER P2	50T	1	
18	A080046	SPACER	TC 15.2DIA. x 23DIA. x 1	2	
19	E060059	GEAR, COUNTER L1	18T	1	

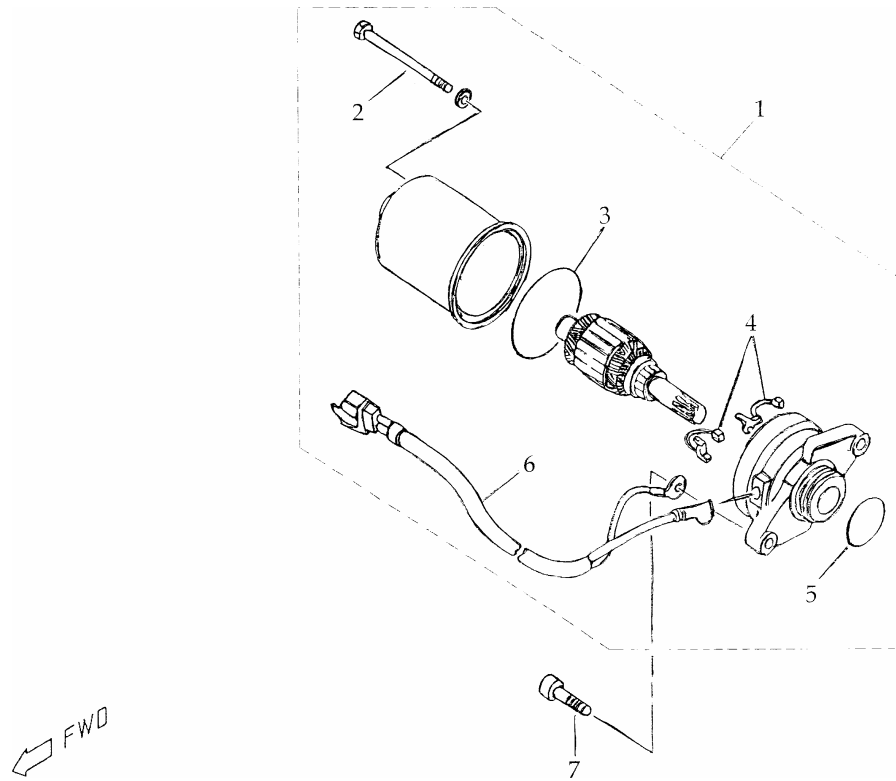
# GENERATOR



DL-501 50CC & 90CC MODEL:

REF NO	PART NO	DESCRIPTION	SPECIFICATION	QTY	PRICE
001	E070115	STATOR ASSEMBLY COMPLETE		1	
002		SCREW, PAN HEAD		2	
003		STATOR		1	
004		SCREW, PAN HEAD		2	
005		COIL, PULSER		1	
006		WASHER, SPRING		1	
007		SCREW, PAN HEAD		1	
008		ROTOR ASSEMBLY		1	
009		OIL SEAL		1	
010	A060010	HEX FLANGE NUT	M10 P1.25	1	
011	A080033	WASHER, PLATE	10.5 DIA. x 22 x 1.6	1	
012	A050032	SCREW, PAN HEAD	M6 x 16	2	

# STARTER MOTOR

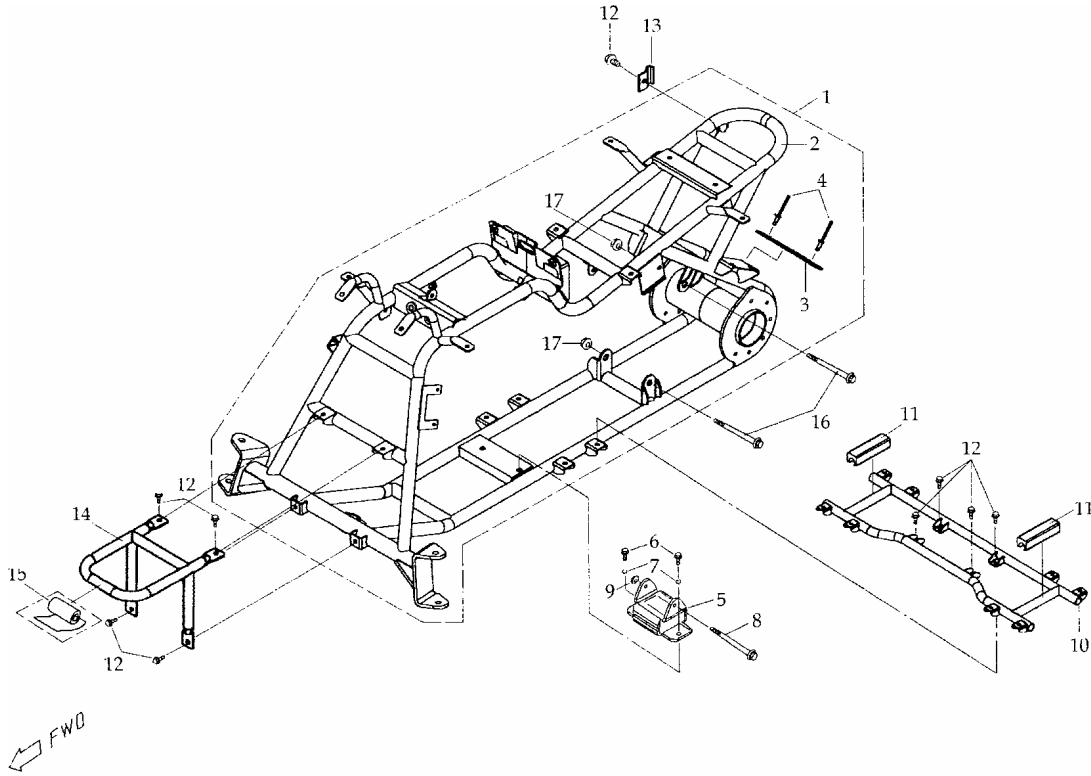


DL-501 50CC MODEL:

REF NO	PART NO	DESCRIPTION	SPECIFICATION	QTY	PRICE
001	E070144	STARTING MOTOR ASSEMBLY		1	
002		SCREW, PAN HEAD		1	
003		O-RING		1	
004		BRUSH SET		1	
005		O-RING		1	
006		CORD COMPLETE		1	
007	A050053	BOLT	M6 x 20 P1.0	2	



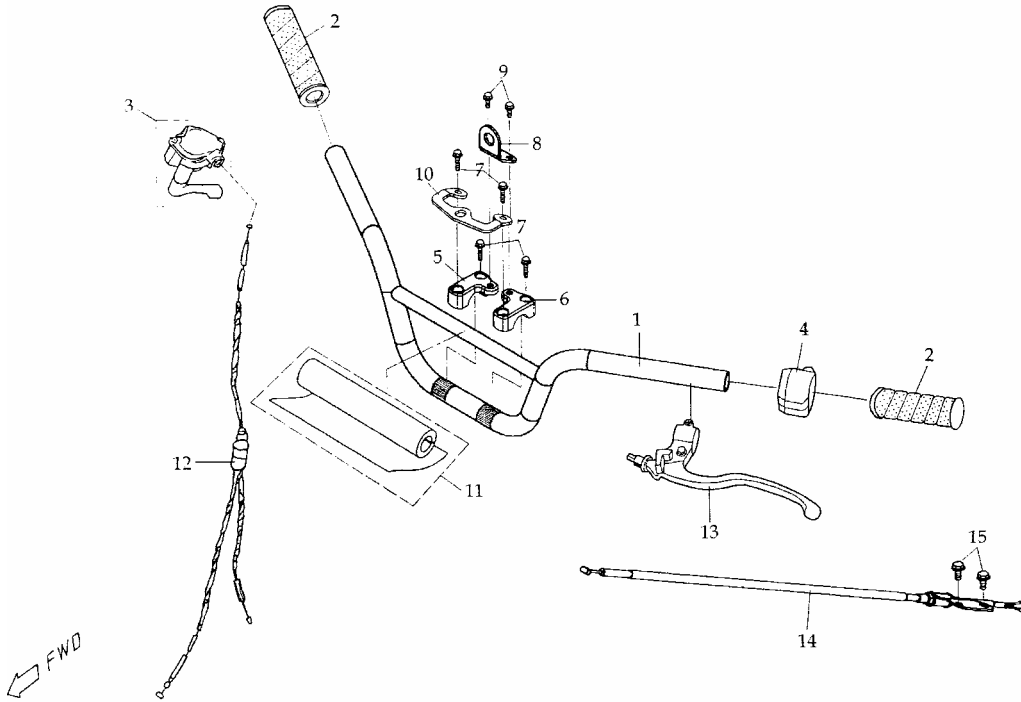
# FRAME BODY



DL-501 50CC & 90CC MODEL:

REF NO	PART NO	DESCRIPTION	SPECIFICATION	QTY	PRICE
01	F050099	FRAME, ASSEMBLY		1	
02		FRAME		1	
03		FRAME NUMBER PLATE		1	
04		RIVET	3 DIA.x6	2	
05	F020130	BRACKET		1	
06	A050057	HEX WASHER FACE BOLT	M8 x 15 P1.25	2	
07	A080012	SPRING WASHER	8.2 DIA. x 3.2 x 2	2	
08	A050012	HEX WASHER FACE BOLT	M8 x 80 P1.25	1	
09	A060014	INSERT LOCK NUT	M8 P1.25	1	
10	F050043	FOOTREST		1	
11	F050074	FOOTBOARD SEAT		2	
12	A050017	HEX WASHER FACE BOLT	M6x12 P1.0	9	
13	F050071	CLAMPER, FLAG		1	
14	F050040	BUMPER		1	
15	F050080	PROTECTION SLEEVE	15.8DIA.x90L	1	
16	A050068	NEX WASHER FACE BOLT	M10 x 115 P1.25	2	
17	A060007	INSERT LOCK NUT	M10 P1.25	2	

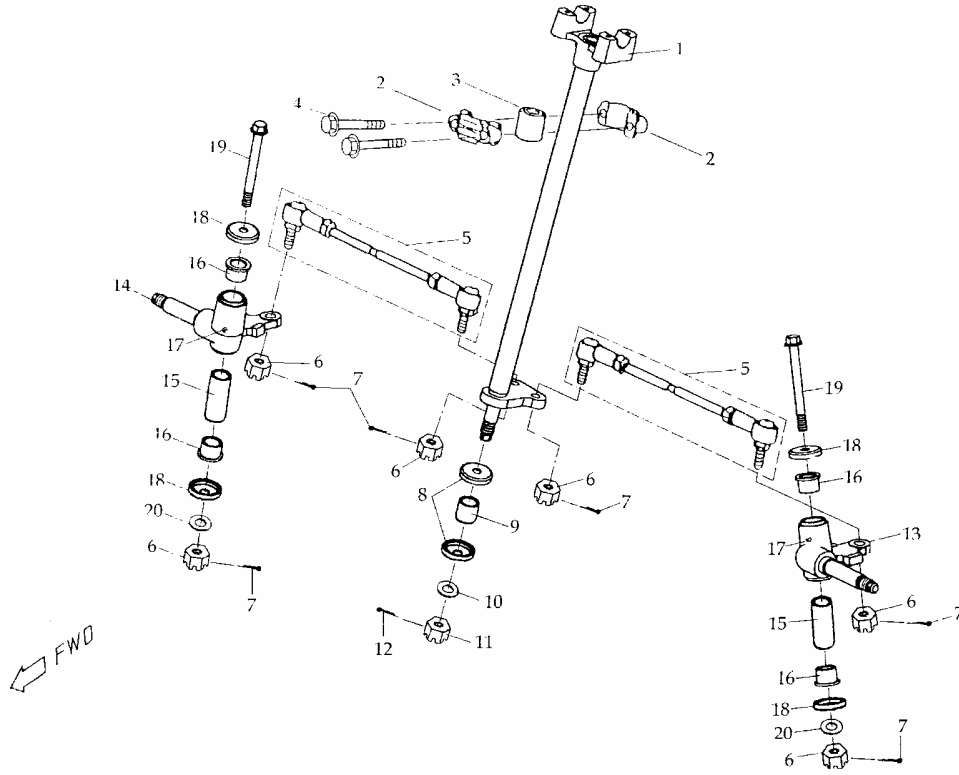
# HANDLE BAR



DL-501 50CC & 90CC MODEL:

REF NO	PART NO	DESCRIPTION	SPECIFICATION	QTY	PRICE
01	F050063	HANDLE BAR		1	
02	F050085	HAND GRIP		2	
03	F050066	FUEL CONTROL ASS'Y		1	
04	F050067	LEFT SWITCH ASS'Y		1	
05	F020118	HANDLE BAR BRACKET (L) /UPPER		1	
06	F020117	HANDLE BAR BRACKET (R) /UPPER		1	
07	A050079	HEX WASHER FACE BOLT	M6x35 P1.0	4	
08	F050055	BRACKET, SAFETY SWITCH		1	
09	A050017	HEX WASHER FACE BOLT	M6x12 P1.0	2	
10	F050089	BRACKET, KEY SWITCH		1	
11	F050138	PROTECTION SLEEVE	15.8DIA.x190L	1	
12	F050068	THROTTLE CABLE		1	
13	F050069	BRAKE LEVER ASS'Y L.H.		1	
14	F050065	BRAKE CABLE ASS'Y		1	
15	A050020	HEX WASHER FACE BOLT		2	

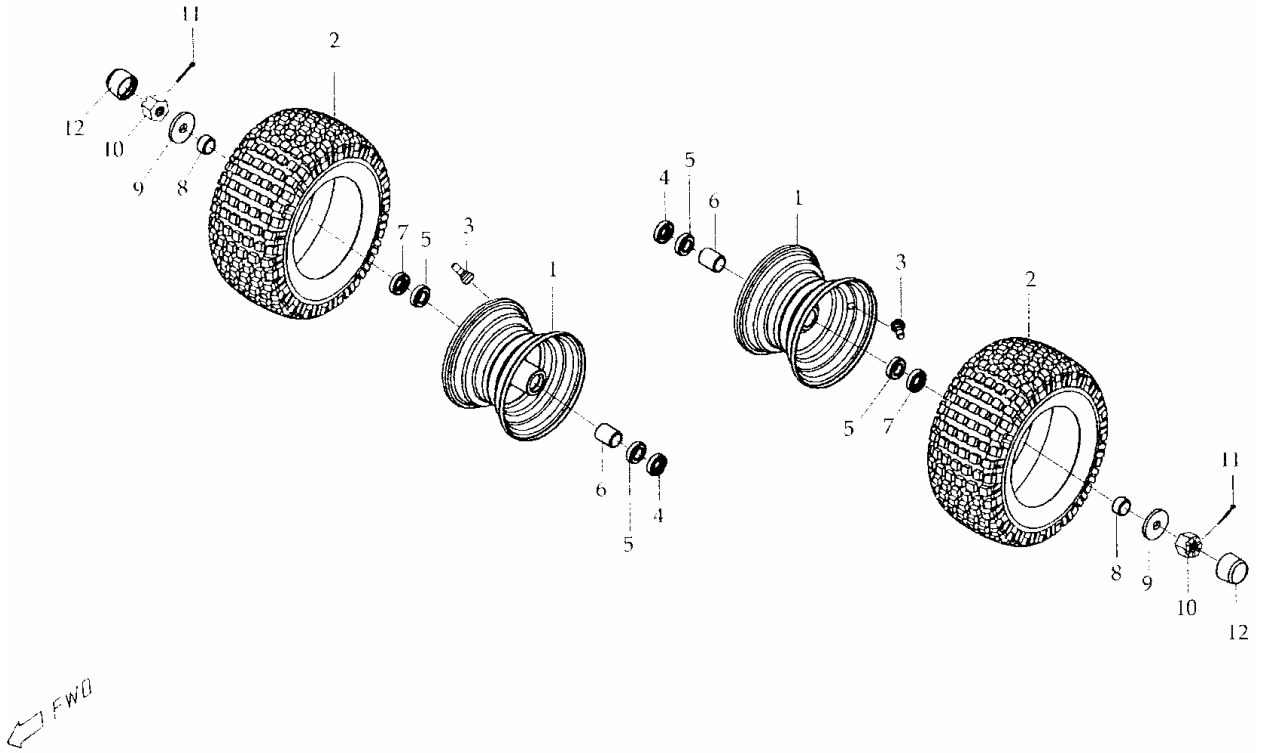
# STEERING



DL-501 50CC MODEL:

REF NO	PART NO	DESCRIPTION	SPECIFICATION	QTY	PRICE
01	F050031	STEERING SHAFT		1	
02	F020119	STEERING SHAFT BRACKET		2	
03	F020037	STEERING SHAFT BUSH SLEEVE		1	
04	A050010	HEX WASHER FACE BOLT	M8 x 65 P1.25	2	
05	F050056	STEERING TIE-ROD ASS'Y		2	
06	A060024	HEXAGON SLOTTED&CASTLE NUTS	M10x12T P1.25	6	
07	A070011	COTTER PIN	2.8DIA. x 32L	6	
08	F050036	SEAL, COVER	28DIA.x6.3x15.2DIA.	2	
09	F050035	BUSH, STEERING SHAFT		1	
10	A080013	PLAIN WASHER	14 DIA. x 26 DIA. x 2.0	1	
11	A060026	HEXAGON SLOTTED&CASTLE NUTS	M14 x 14 P1.5	1	
12	A070002	COTTER PIN	3.2 x 32	1	
13	F050118	KNUCKLE, STEERING L.H.		1	
14	F050119	KNUCKLE, STEERING R.H.		1	
15	F050015	TUBE, STTRING KNUCKLE		2	
16	F050117	BUSH, STTRING KNUCKLE		4	
17	F020140	GREASE VALVE		2	
18	F050018	SEAL, COVER	28DIA.x6.3x10.2DIA.	4	
19	A050073	HEX WASHER FACE BOLT	M10x100 P1.25	2	
20	A080061	PLAIN WASHER	10.5DIA.x22 DIA.x3.5T	2	

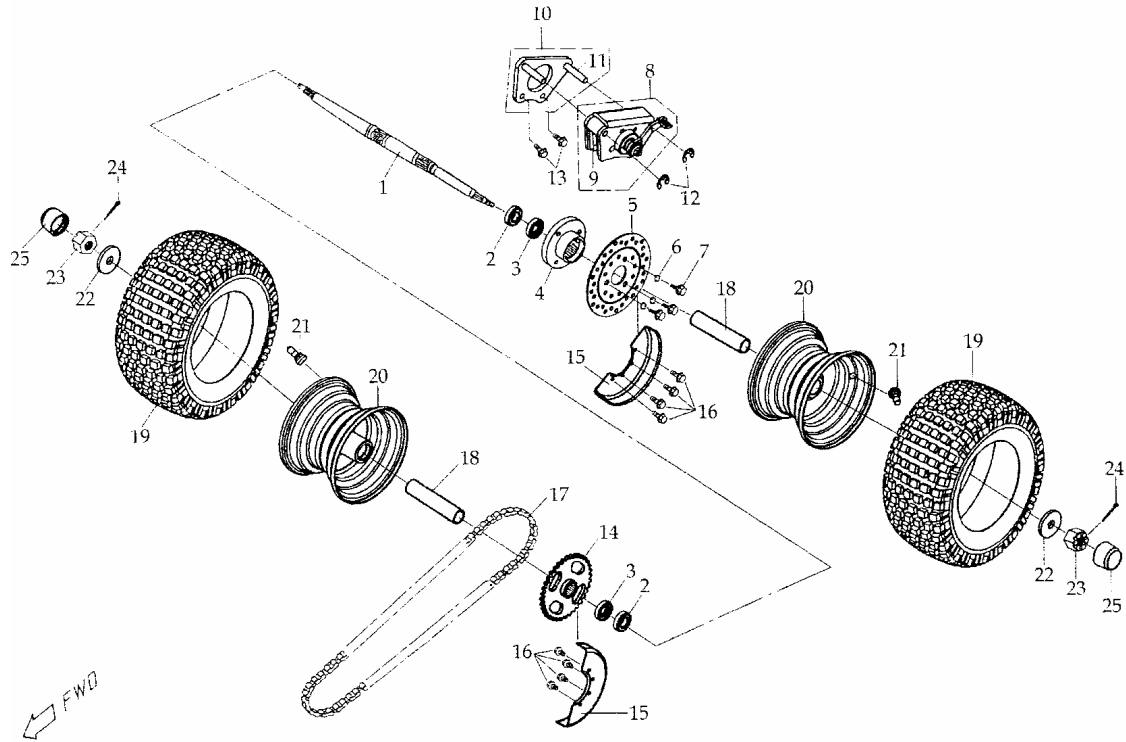
# FRONT WHEEL



DL-501 50CC MODEL:

REF NO	PART NO	DESCRIPTION	SPECIFICATION	QTY	PRICE
01	F050019	RIM, FRONT WHEEL		2	
02	F050070	TIRE	145/70-6	2	
03	F020154	RIM VALVE		2	
04	A030016	OIL SEAL	TC20x35x7	2	
05	A010005	BEARING, RADIAL BALL	6003Z	4	
06	F050017	COLLAR	22DIA.x17DIA.x27	2	
07	A030002	OIL SEAL	TC22x35x7	2	
08	F050016	COLLAR	22DIA.x17DIAx12	2	
09	A080001	PLAIN WASHER	14.2DIA.x40DIA.x4.5	2	
10	A060026	HEX SLOTTED&CASTLE NUT	M14x14T P1.5	2	
11	A070002	PIN, COTTER	2.8DIA.x32L	2	
12	F020153	RUBBER CAP		2	

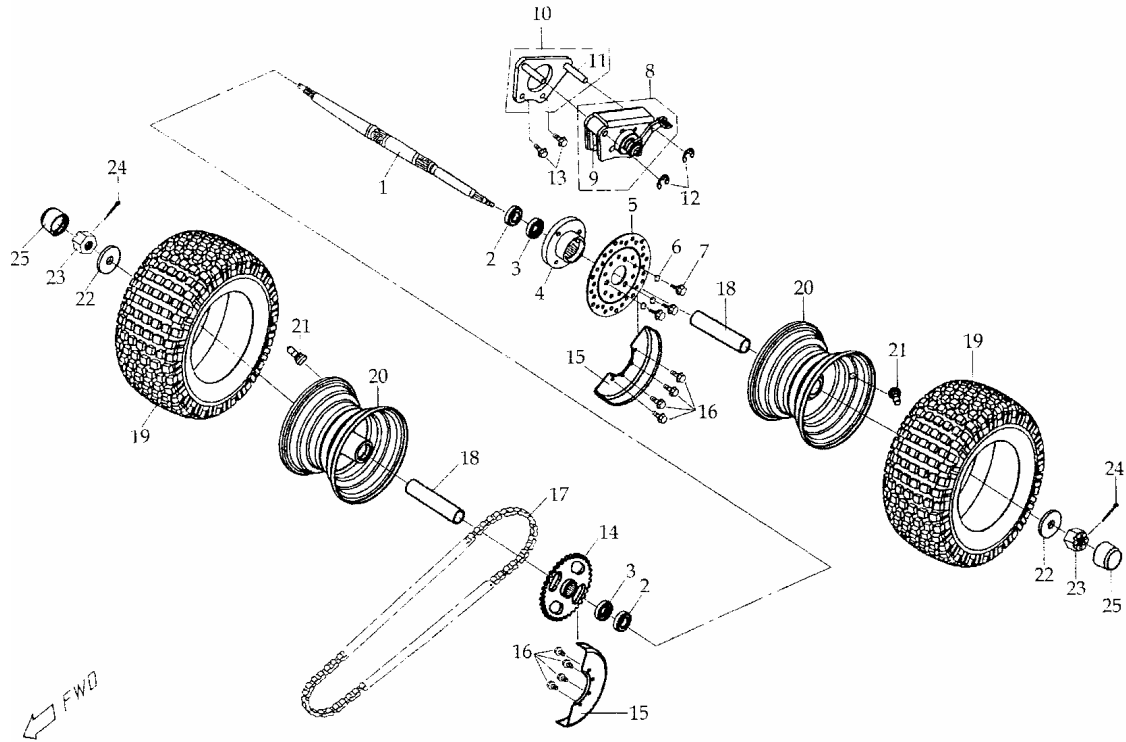
# REAR WHEEL



DL-501 50CC MODEL:

REF NO	PART NO	DESCRIPTION	SPECIFICATION	QTY	PRICE
01	F050005	AXLE, REAR		1	
02	A010006	BEARING, RADIAL BALL	6006ZZ	2	
03	A030012	OIL SEAL	TC40x55x7	2	
04	F050006	BASE, BRAKE DISK		1	
05	F050013	BRAKE DISK	160DIA.	1	
06	A080009	SPRING WASHER	10.2DIA.x3.7x2.5	3	
07	A050005	HEX WASHER FACE BOLT	M10x15 P1.25	3	
08	F050059	CLIPER, BRAKE DISK		1	
09	F050088	BASE, BRAKE		1	
10	F050010	BASE, CLIPER		1	
11		PIN, CLIPER		2	
12	A100014	RETAINING RINGS E TYPE	6DIA.	2	
13	A050017	HEX WASHER FACE BOLT	M6x12 P1.0	2	
14	F050008	SPROCKET, REAR AXLE	428x36T	1	
15	F050012	COVER, PROTECTION		2	
16	A050080	HEX WASHER FACE BOLT	M6x8 P1.0	8	
17	F050060	DRIVER CHAIN ASS'Y	428x58P	1	
18	F050009	TUBE, SPACER		2	

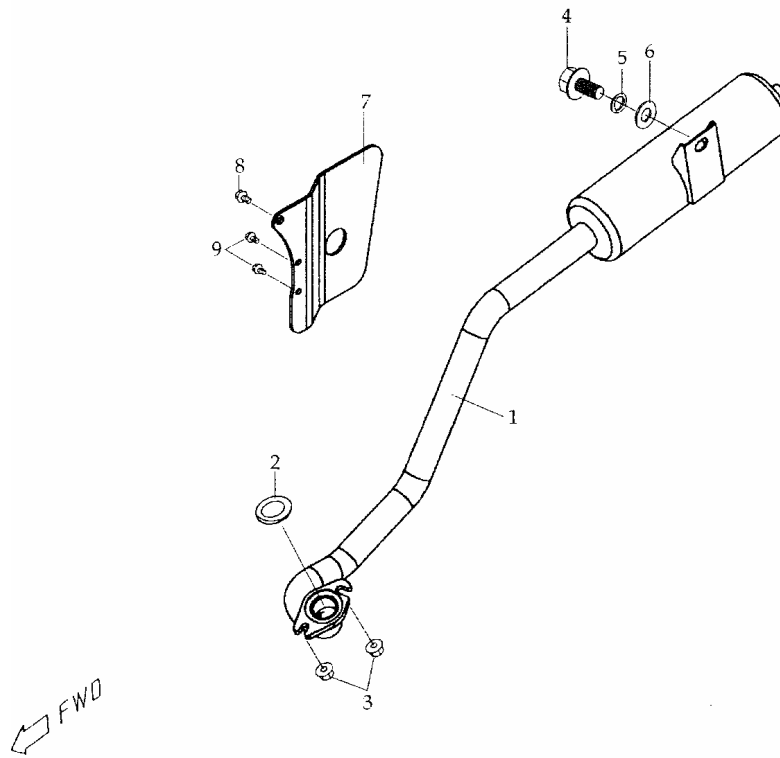
# REAR WHEEL



DL-501 50CC MODEL:

REF NO	PART NO	DESCRIPTION	SPECIFICATION	QTY	PRICE
19	F050070	TIRE	145/70-6	2	
20	F050007	RIM, REAR WHEEL		2	
21	F020154	RIM VALVE		2	
22	A080001	PLAIN WASHER	14.2DIA.x40DIA.x4.5	2	
23	A060026	HEX SLOTTED&CASTLE NUT	M14x14T P1.5	2	
24	A070011	PIN, COTTER	2.8DIA.x32L	2	
25	F020153	RUBBER CAP		2	
	<b>NOTE:</b>	<b>SEE ACCESSORY CATALOG FOR OPTIONAL 2001/2002 MINI REX CHAIN TENSIONER</b>			

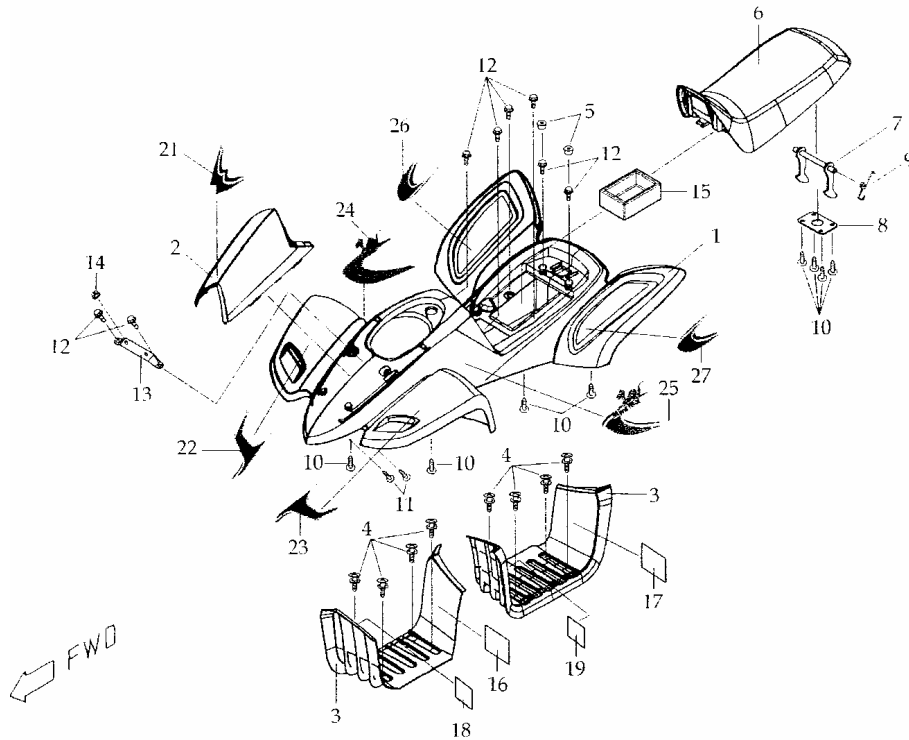
# EXHAUST PIPE



DL-501 50CC MODEL:

REF NO	PART NO	DESCRIPTION	SPECIFICATION	QTY	PRICE
01	F050034	EXHAUST PIPE ASSEMBLY		1	
02	F020052	GASKET, EXHAUST PIPE		1	
03	A060027	INSERT LOCK NUT	M6 P1.0	2	
04	A050058	HEX WASHER FACE BOLT	M10 x 15 P1.5	1	
05	A080009	SPRING WASHER	10.2 DIA. x 3.7 x 2.5	1	
06	A080049	PLAIN WASHER		1	
07	F050084	SAFETY, COVER		1	
08	A050076	HEX WASHER FACE BOLT	M8x25 P1.25	1	
09	A050077	HEX WASHER FACE BOLT	M6x25 P1.0	2	

# FENDER, SEAT



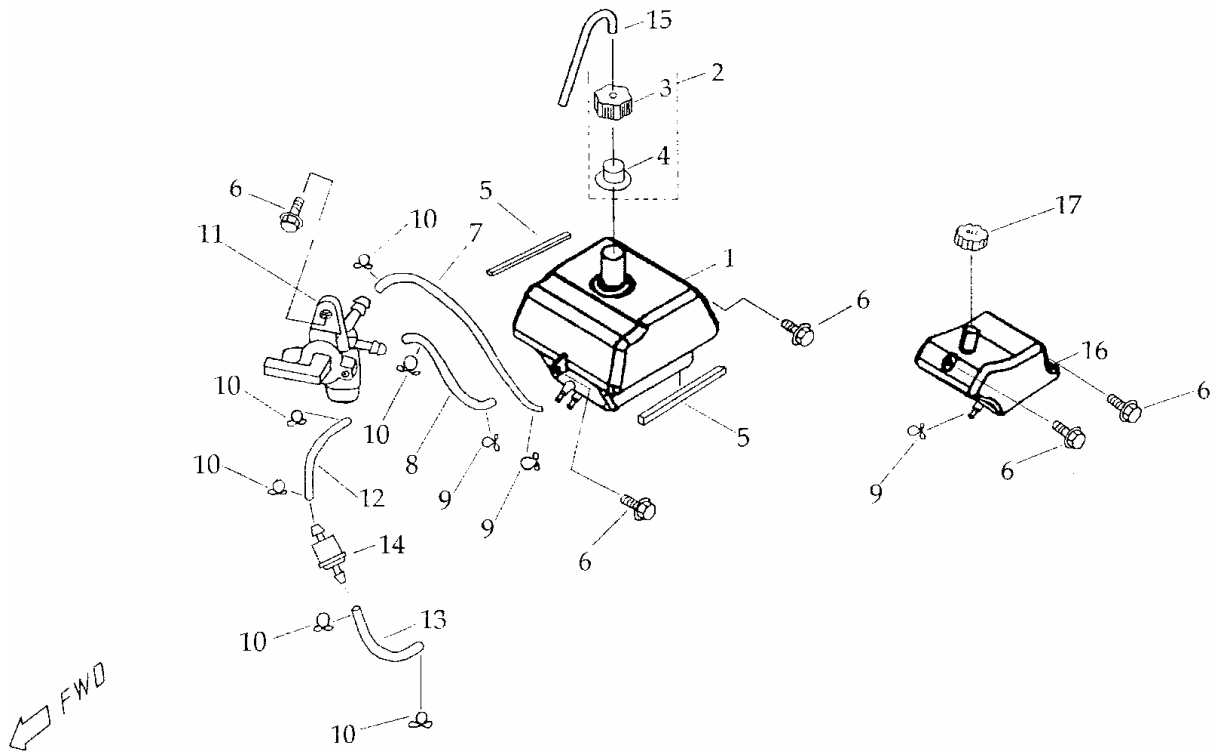
DL-501 50CC & 90CC MODEL:

REF NO	PART NO	DESCRIPTION	SPECIFICATION	QTY	PRICE
01	F050001	FENDER (RED)		1	
	F050106	FENDER (YELLOW)		1	
	F050107	FENDER (BLUE)		1	
	F050109	FENDER (WHITE)		1	
02	F050002	COVER, FRONT (LIGHT BLUE)		1	
	F050108	COVER,FRONT (BROWN)		1	
	F050110	COVER, FRONT (DARK BLUE)		1	
03	F050003	FOOTBOARD		2	
04	A050018	PAN PHILLIPS BOLT	M6x16 (SUS)	8	
05	F020040	SEAT RUBBER		2	
06	F050004	SEAT ASSEMBLY		1	
07	F050054	HOOK, SEAT CLAMP		1	
08	F050028	BRACKET, SEAT		1	
09	A110003	TORSION SPRING		1	
10	A130005	TAPPING SCREW	M5x15	8	
11	A130007	TAPPING SCREW	M4x16	2	
12	A050023	HEX BOLT	M6x16 P1.0	8	
13	F050087	BRACKET, ROMOTE CONTROL		1	





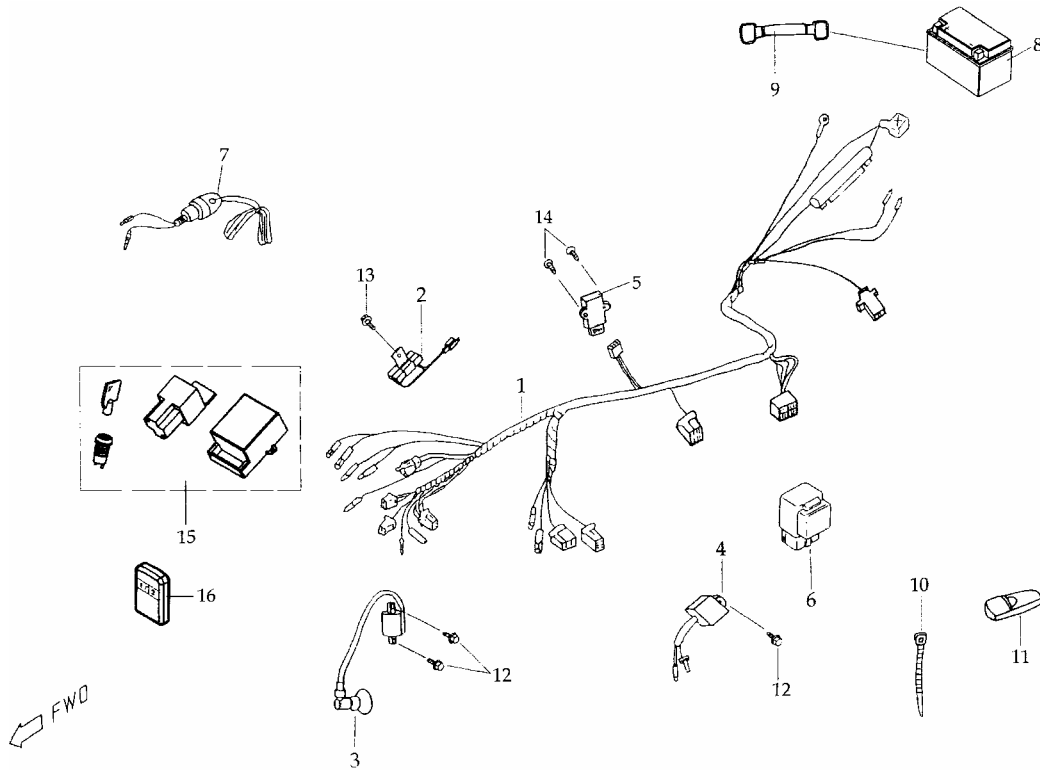
## FUEL TANK, OIL TANK (50CC & 90CC MODEL)



DL-501 50CC & 90CC MODEL:

REF NO	PART NO	DESCRIPTION	SPECIFICATION	QTY	PRICE
01	F050037	FUEL TANK		1	
02	F050091	CAP FUEL TANK ASSEMBLY		1	
03		CAP FUEL TANK		1	
04		BREATHE FILM		1	
05	F050083	RUBBER MAT		2	
06	A050017	HEX WASHER FACE BOLT	M6 x 12 P1.0	5	
07	F050075	FUEL TUBE A		1	
08	F050076	FUEL TUBE B		1	
09	F020196	CLIP	12 x 0.8	3	
10	F020197	CLIP	9.2 x 0.6	6	
11	F020144	MANUAL FUEL CUP ASSEMBLY		1	
12	F050090	FUEL TUBE D	L=95MM	1	
13	F020048	FUEL TUBE C		1	
14	F020143	FUEL FILTER ASSEMBLY		1	
15	F020145	BREATHE TUBE		1	
16	F050038	OIL TANK ASSEMBLY		1	
17	F020146	OIL TANK CAP		1	

# ELECTRICAL PARTS



DL-501 50CC & 90CC MODEL:

REF NO	PART NO	DESCRIPTION	SPECIFICATION	QTY	PRICE
01	F050082	MAIN WIRE ASSEMBLY	BATTERY FUSE=8A/250V	1	
02	F020186	RESISTOR ASSEMBLY		1	
03	F020183	IGNITION COIL ASSEMBLY		1	
04	F020184	C.D.I. UNIT ASSEMBLY		1	
05	F020185	RECTIFIER & REGULATOR		1	
06	F020187	STARTER RELAY ASSEMBLY		1	
07	F020190	SAFETY SWITCH		1	
08	F050081	BATTERY	GTX4L-BS	1	
09	F050092	RUBBER BAND (BATTERY)		1	
10	F020188	STRAP	ALT-200M-B	12	
11	F020189	TOOL KIT		1	
12	A050024	HEX WASHER FACE BOLT	M6x16 P1.0	3	
13	A050017	HEX WASHER FACE BOLT	M6x12 P1.0	1	
14	A050031	PAN PHILLIPS BOLT	M5x16 P0.8	2	
15	F050078	KIT,REMOTE CONTROL		1	
15-1	F050113	KEY/SWITCH ASSY	(BOTH STYLES)	1	
16	F050079	SWITCH, REMOTE CONTROL		1	
<b>15</b>	<b>F050170</b>	<b>RECEIVER,REMOTE CONTROL</b>	<b>(SECOND STYLE)</b>	<b>1</b>	
<b>16</b>	<b>F050171</b>	<b>TRANS. , REMOTE CONTROL</b>	<b>(SECOND STYLE)</b>	<b>1</b>	